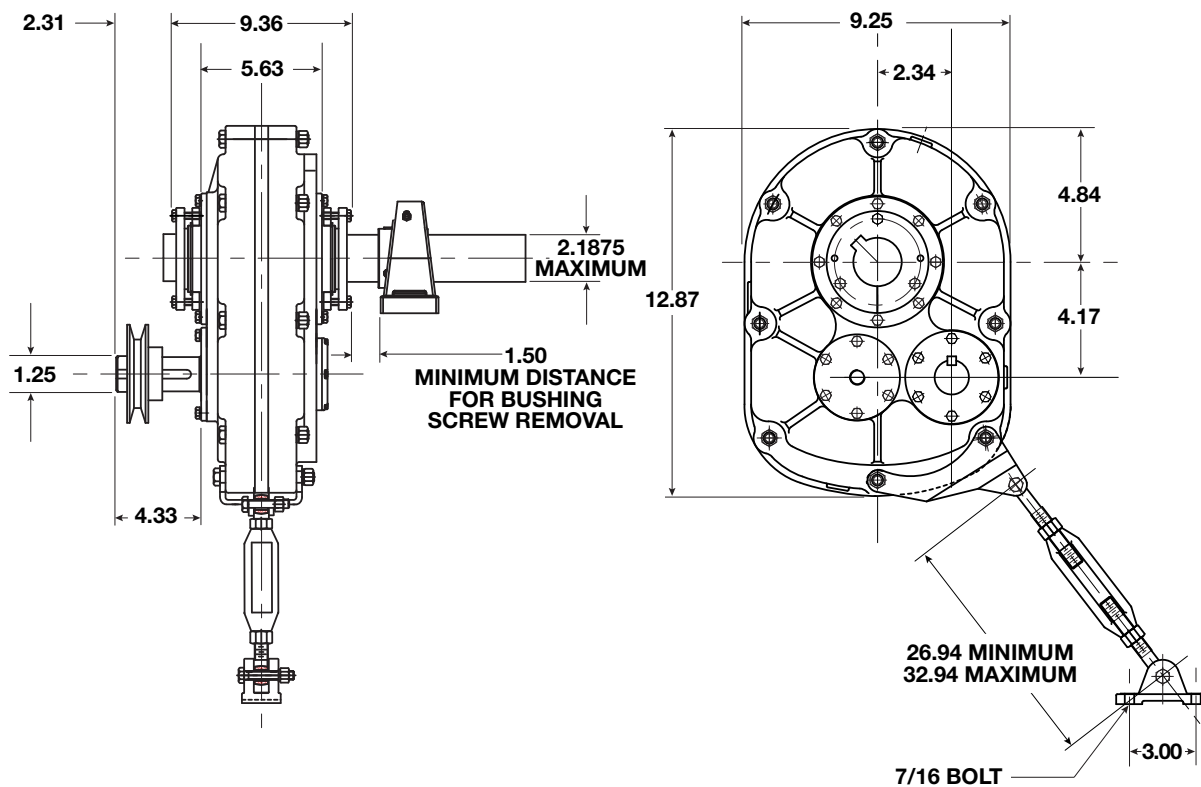




VXT3 XD Dimensions

All dimensions listed in inches



Output Hub Tapered Bushings (Other bushing sizes available by special order)

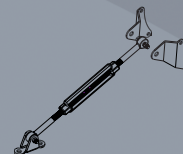
Bushing Kit Number (bore diameter)	Shaft Keyseat Required (inches)	Weight (lbs)
XBK3 1-11/16*	3/16 x 3/16 x 8-1/16	4.8
XBK3 1-3/4*	3/16 x 3/16 x 8-1/16	4.8
XBK3 1-7/8*	1/2 x 1/4 x 8-1/16	4.3
XBK3 1-15/16	1/2 x 1/4 x 8-1/16	4.4
XBK3 2	1/2 x 1/4 x 8-1/16	4.1
XBK3 2-3/16	1/2 x 1/4 x 8-1/16	3.7

*Check the driven shaft and key for adequate load capacity.

XD Style Speed Reducer (AGMA Size 203)

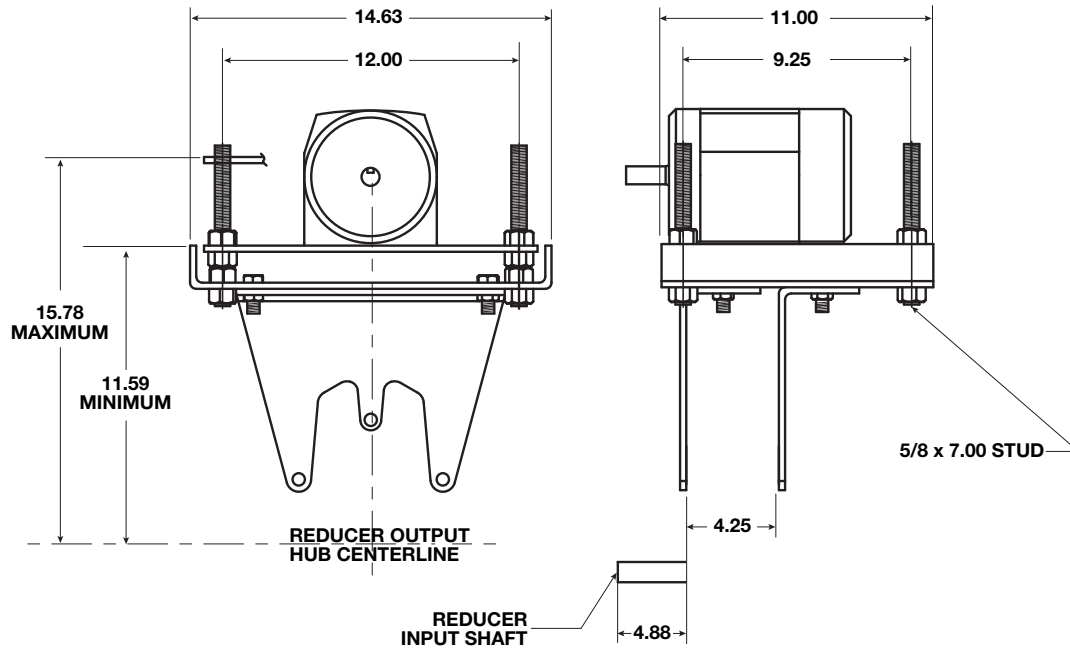
Reducer Unit	Exact Ratio	Maximum Output RPM	Weight (lbs)
VXT315 XD	14.87:1	140	87.0
VXT325 XD	24.75:1	85	87.0

Included Torque Arm



Torque Arm Kit Number	Weight (lbs)
3TA	7.0

VXT3 XD Accessories



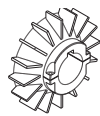
Motor Mount Kit Number	NEMA Motor Frame	Weight (lbs)
3MMA	56T-215T	38.0

V-Belt Center Distance for NEMA Frame Motors					
	56	140	180	210	250
Minimum	20.2	20.2	21.2	22.0	23.0
Maximum	23.6	23.6	24.6	25.3	26.3



Backstop

3BKS



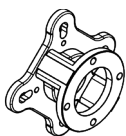
Cooling Fan Kit

3CFK



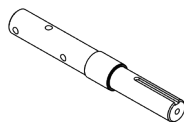
Component Replacement Repair Kit

3RK



Screw Conveyor Flange

3SCF



Screw Conveyor Drive Shaft

3SCDS

Output Shaft Diameter Options (in)

1-1/2

2

2-7/16

3



Screw Conveyor Shaft Removal Wedge

3SCRW

